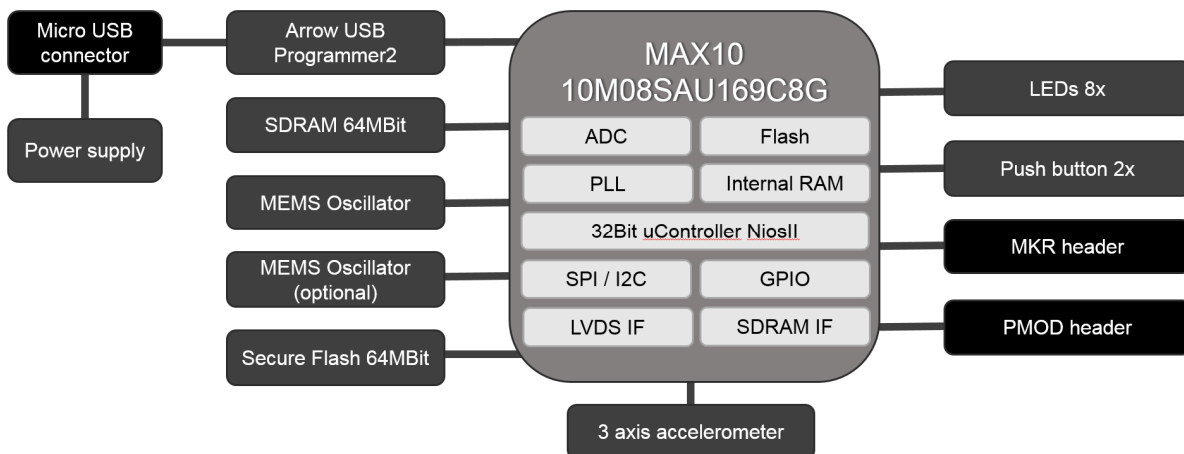
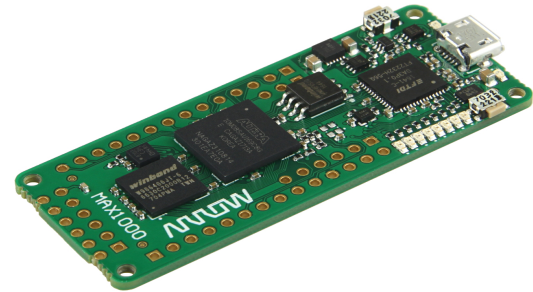


# MAX1000 – IoT/Maker Board

## MAX1000

### Lowest cost MAX10 Intel FPGA board

The MAX1000 is an IoT/Maker board based on the MAX10 FPGA from Intel. With the implemented Arrow USB Programmer2 it's a full featured solution without additional costs. It's available as standard version, but can also be ordered in a customized variant, to be used in an end product. The MAX1000 is also the perfect approach and various applications based on microcontroller soft cores like NiosII and for new FPGA engineers.



The MAX10 provides for a complete solution all necessary features, like single supply, integrated ADC, 2-16kLE, internal Flash, PLL and memory interface.

### Features MAX1000:

- Lowest cost MAX10 solution on the market
- Intel MAX10 with 8kLE
- Arduino MKR standard 25x61.5mm<sup>2</sup>
- Integrated Arrow USB Programmer2
- Preprogrammed Demo Application
- Full featured FPGA board
- PMOD connector to adapt various solutions
- Secure Flash: HMAC-SHA-256, OTP/volatile key, counter
- Customized board available for real end products!!!

For more information please visit

[www.arrow.com/max1000](http://www.arrow.com/max1000)

