

Product brief

XENSIV™ PAS CO2 Sensor

Measure what matters

Infineon has leveraged its state-of-the-art capabilities in sensors and MEMS to develop a disruptive carbon dioxide (CO₂) sensor. Measuring CO₂, a key indicator of indoor air quality, allows us to optimize what really matters: health, comfort, and energy efficiency.

By leveraging photoacoustic spectroscopy (PAS), XENSIV™ PAS CO2 overcomes the size, performance and assembly challenges of existing CO₂ sensor solutions. The sensor comes in an exceptionally miniaturized module (14 x 13.8 x 7.5 mm³) that is four times smaller and three times lighter than its NDIR counterparts. This enables more than 75 percent space-saving in customer systems. In addition to its compact design, XENSIV™ PAS CO2 delivers high data quality thanks to its superior accuracy (± 30 ppm $\pm 3\%$ of reading). This makes XENSIV™ PAS CO2 the smallest real CO₂ sensor in the world that achieves this level of accuracy.

All major components of XENSIV™ PAS CO2 are developed in-house according to Infineon's high-quality standards. This includes a dedicated microcontroller, which runs advanced compensation algorithms to deliver direct and reliable ppm readouts of real CO₂ levels. The available configuration options make the sensor one of the most versatile plug-and-play CO₂ sensors on the market. These options include: dedicated ABOC (Automatic Baseline Offset Calibration), pressure compensation, signal alarm, sample rate and early measurement notification, which are mainly useful for power consumption management. The SMD package, delivered in tape and reel, facilitates ease of assembly, even in high-speed, high-volume manufacturing.

This ease of integration makes XENSIV™ PAS CO2 the right fit for a variety of applications in building automation, smart home and air quality monitoring. In HVAC (heating, ventilation and air conditioning) systems, the sensor ensures that optimal levels of indoor air quality are achieved. Furthermore, by facilitating DCV (demand-controlled ventilation), CO₂ sensing leads to an increase in the energy efficiency of these systems as well as significant savings on energy bills. With its small footprint, XENSIV™ PAS CO2 is also ideal for smart home appliances and IoT devices such as air purifiers, thermostats, smart lighting systems, air quality monitors, and smart speakers.

A complete suite of boards (Sensor2Go Kit, Mini Evaluation Board, Arduino-based Shield2Go, Adafruit-based Wing Board), libraries and application notes will be available to support customers in accelerating their design-to-market.

Key features...

- > Small form factor (14 x 13.8 x 7.5 mm³)
- > High accuracy (± 30 ppm $\pm 3\%$ of reading) and robust performance
- > SMD package delivered in tape and reel
- > Advanced compensation and self-calibration algorithms
- > Three interface options: UART, I²C, PWM
- > Various configuration options

... result in key benefits

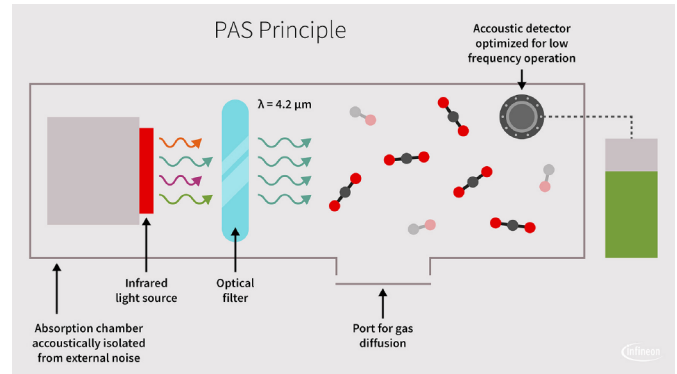
- > Space savings in customers' end products
- > High data quality
- > Smooth high-volume assembly
- > Plug-and-play solution
- > Customer flexibility thanks to variety of interface & configuration options

Key applications

- > HVAC (heating, ventilation and air conditioning) systems
- > Smart home & building appliances like air purifiers and IoT devices
- > Air quality monitors

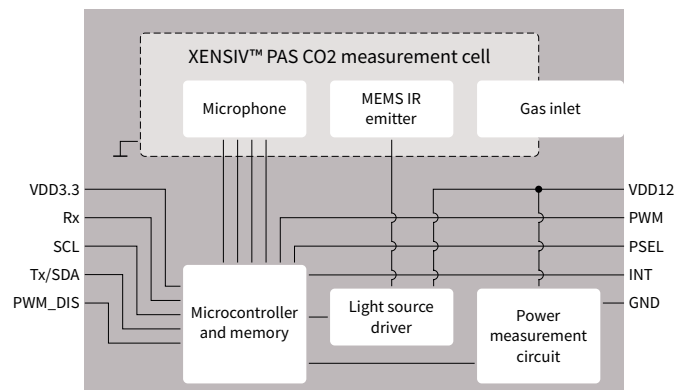
Photoacoustic principle: How does it work?

Pulses of light from an infrared source pass through an optical filter tuned specifically to the CO₂ absorption wavelength ($\lambda = 4.2 \mu\text{m}$). The CO₂ molecules inside the measurement chamber absorb the filtered light, causing the molecules to shake and generate a pressure wave with each pulse. This is called the photoacoustic effect. The sound is then detected by an acoustic detector optimized for low frequency operation, and the microcontroller converts the output into a CO₂ concentration reading. In order to provide accurate CO₂ sensing information, the absorption chamber is acoustically isolated from external noise.



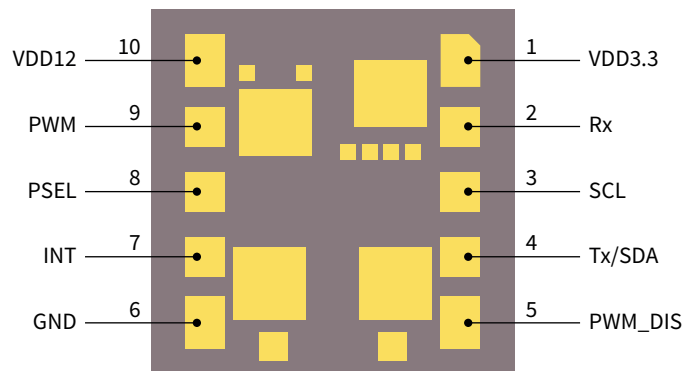
Block diagram

The XENSIV™ PAS CO₂ sensor module PCB integrates a PAS transducer, a microcontroller, and a MOSFET. The PAS transducer includes a proprietary infrared emitter with blackbody radiation which is periodically chopped by the MOSFET, a narrow-band optical filter tuned to the CO₂ wavelength and Infineon’s MEMS microphone, which acts as a pressure sensor and is optimized for low frequency operation.



Pin configuration

Pin	Symbol	Type	Description
1	VDD3.3	Power supply (3.3 V)	3.3 V digital power supply
2	Rx	Input/Output	UART receiver pin
3	SCL	Input/Output	I ² C clock pin (3.3 V domain)
4	Tx/SDA	Output	UART transmitter pin (3.3 V domain)/ I ² C data pin (3.3 V domain)
5	PWM_DIS	Input	PWM disable input pin (3.3 V domain)
6	GND	Ground	Ground
7	INT	Output	Interrupt output pin (3.3 V domain)
8	PSEL	Input	Communication interface select input pin (3.3 V domain)
9	PWM	Output	PWM output pin (3.3 V domain)
10	VDD12	Power supply (12 V)	12 V power supply for the IR emitter



Published by
Infineon Technologies AG
81726 Munich, Germany

© 2021 Infineon Technologies AG.
All Rights Reserved.

Please note!

This Document is for information purposes only and any information given herein shall in no event be regarded as a warranty, guarantee or description of any functionality, conditions and/or quality of our products or any suitability for a particular purpose. With regard to the technical specifications of our products, we kindly ask you to refer to the relevant product data sheets provided by us. Our customers and their technical departments are required to evaluate the suitability of our products for the intended application.

We reserve the right to change this document and/or the information given herein at any time.

Additional information

For further information on technologies, our products, the application of our products, delivery terms and conditions and/or prices, please contact your nearest Infineon Technologies office (www.infineon.com).

Warnings

Due to technical requirements, our products may contain dangerous substances. For information on the types in question, please contact your nearest Infineon Technologies office.

Except as otherwise explicitly approved by us in a written document signed by authorized representatives of Infineon Technologies, our products may not be used in any life-endangering applications, including but not limited to medical, nuclear, military, life-critical or any other applications where a failure of the product or any consequences of the use thereof can result in personal injury.