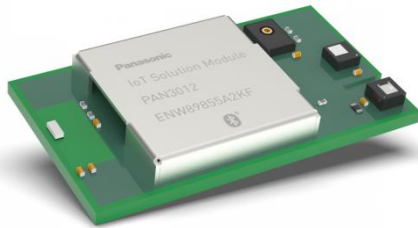


PAN3012

IoT Solution Module



[OVERVIEW]

Creating IoT Solution Modules like the PAN3012, that clearly contribute to cutting down time to market in development processes in these rather fast paced times of innovation and automatization has been the clear priority for Panasonic Industry. Being based on and inspired by the ST BlueTile (STEVAL-BCN002V1B) multi-sensor development kit, customers are now able to test and evaluate their ideas easily and bring new IoT products appropriately fast and at a reduced BOM to the markets.

The IoT Solution Module features ST's latest BlueNRG Bluetooth Low Energy (BLE) 5.0 system-on-chip (SoC) paired with environmental and audio sensors. The onboard sensors enable the cost-effective delivery of a broad range of compact and valuable IoT applications for smart factory, smart home and smart life scenarios.

The combination of pressure, humidity, temperature and audio sensors in an efficient low-power design with Bluetooth communications enables OEM customers to dramatically slash time-to-market and reduce design expense and complexity using certified modules.

[FEATURES]

- **BlueNRG-2**
Bluetooth Low Energy single-mode system-on-chip
- **MP34DT05-A**
MEMS audio sensor omnidirectional digital microphone, 64 dB SNR, -26 dBFS sensitivity, top-port, 122.5 dB SPL AOP
- **LPS22HH**
ultra-compact piezo-resistive absolute pressure sensor, 260-1260 hPa, digital output barometer, full-mold dust resistant, holed LGA package (HLGA)
- **HTS221**
capacitive digital sensor for relative humidity and temperature



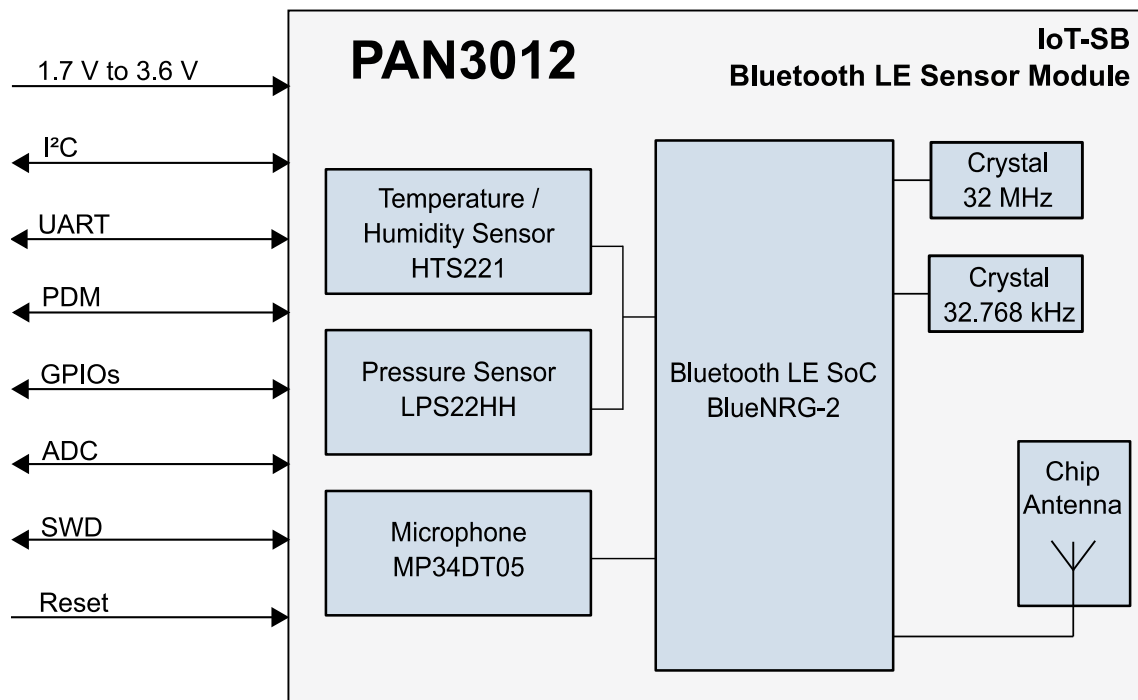
Dr. Sara Ghaemi

Team Leader IoT

Sara.ghaemi@eu.panasonic.com

+49 152 56882234

[BLOCK DIAGRAM]



[BLUETOOTH SoC]

- Bluetooth 5.0 qualified SoC with up to +8 dBm output power and typical -88 dBm Rx sensitivity
- Single-core, ultra-low-power 32-bit ARM® Cortex®-M0 core architecture up to 32 MHz
- 256 KB of embedded Flash memory, 24 KB of ultra-low-leakage RAM (with full data retention)
- Interfaces: I2C, UART, PDM, GPIO, ADC, SWD

[TECHNICAL CHARACTERISTICS]

- Surface mount type dimensions: 25.0 mm x 14.0 mm x 3.0 mm
- Typical Rx Sensitivity: -88 dBm
- Typical Tx output power: +8 dBm
- Power consumption:
 - Tx: 16 mA @8dBm (3V)
 - Rx: 9 mA
 - Sleep: 7µA
- Voltage range: 1.7 V to 3.6 V
- Temperature range: -40 °C to 85 °C