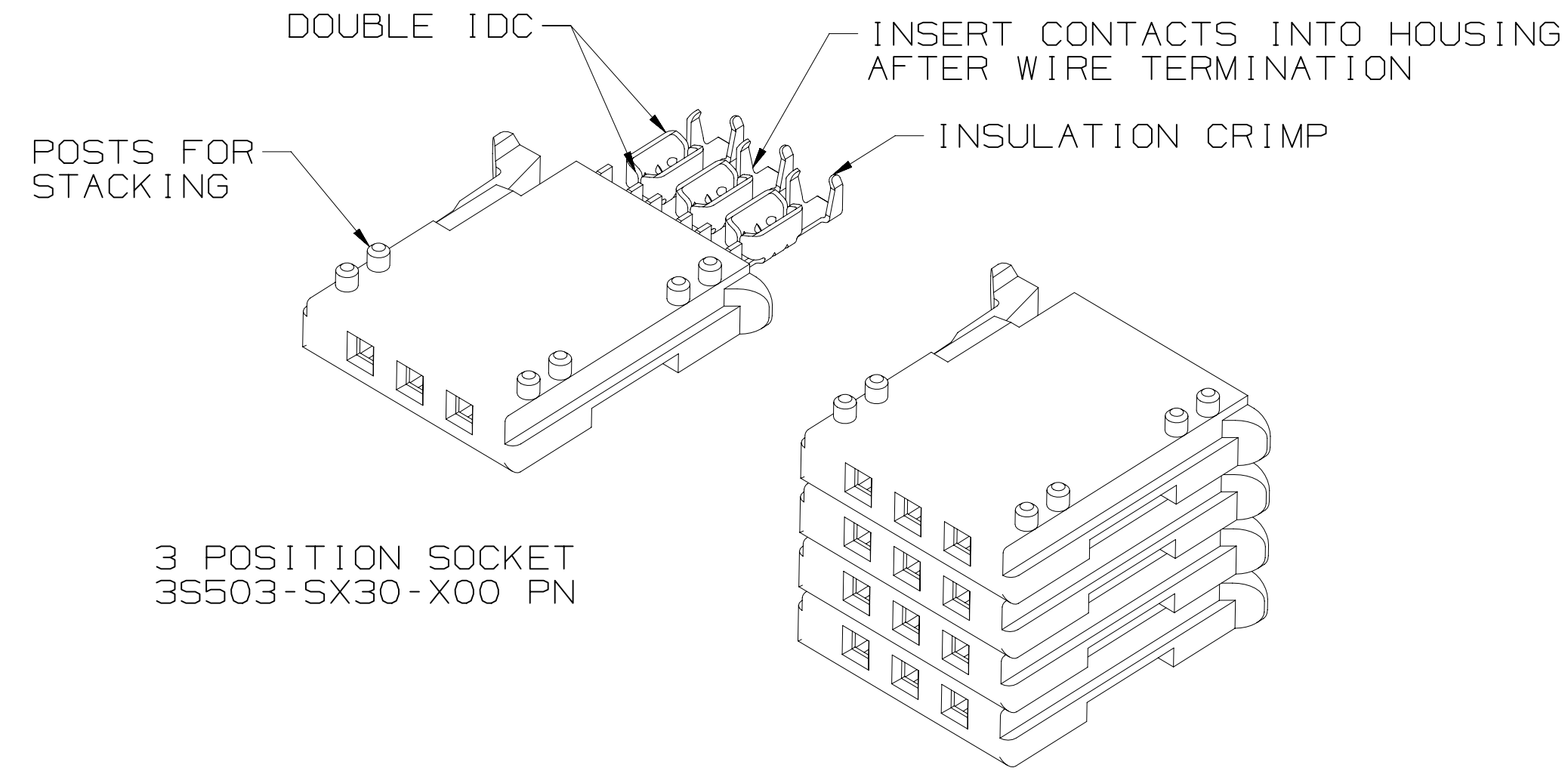
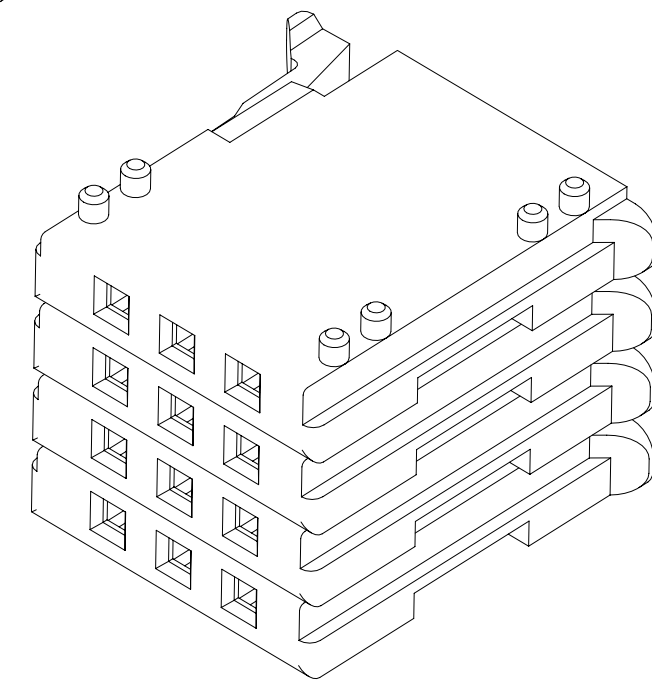


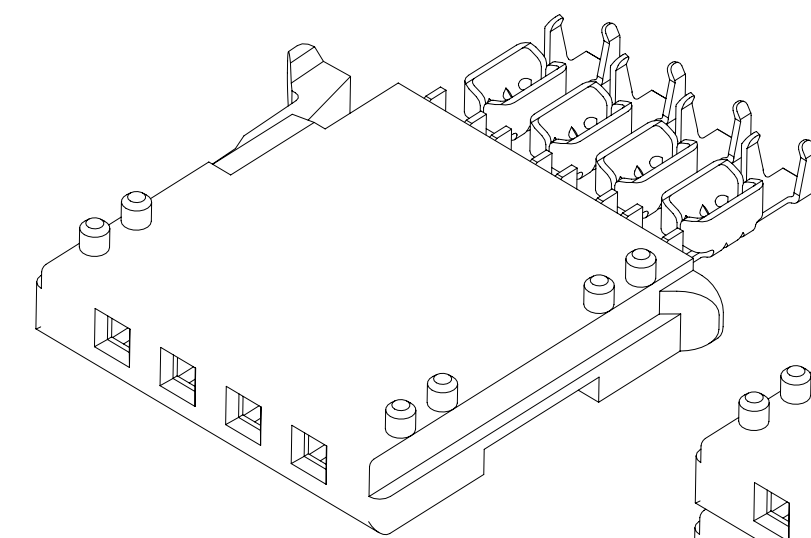
3M™ MINI STACK CONNECTOR, WIREMOUNT SOCKET



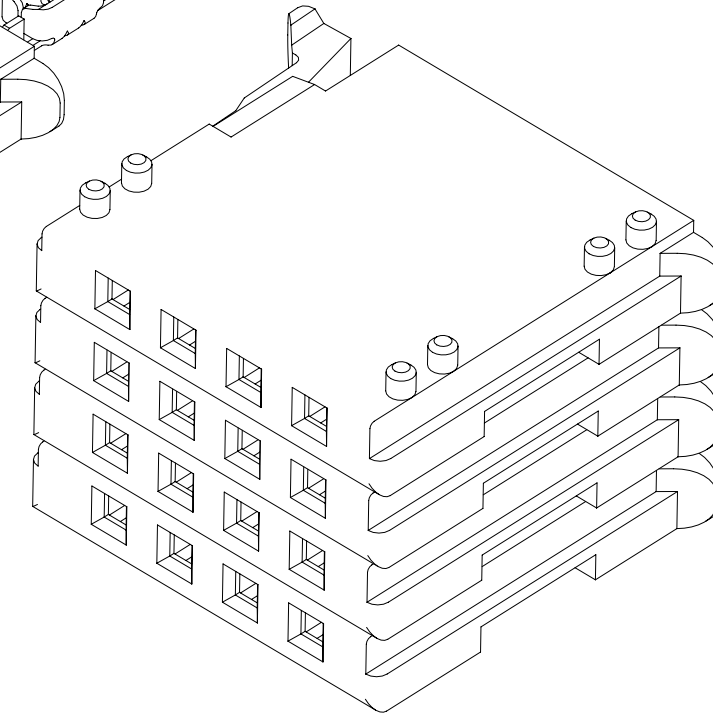
3 POSITION SOCKET
3S503-SX30-X00 PN



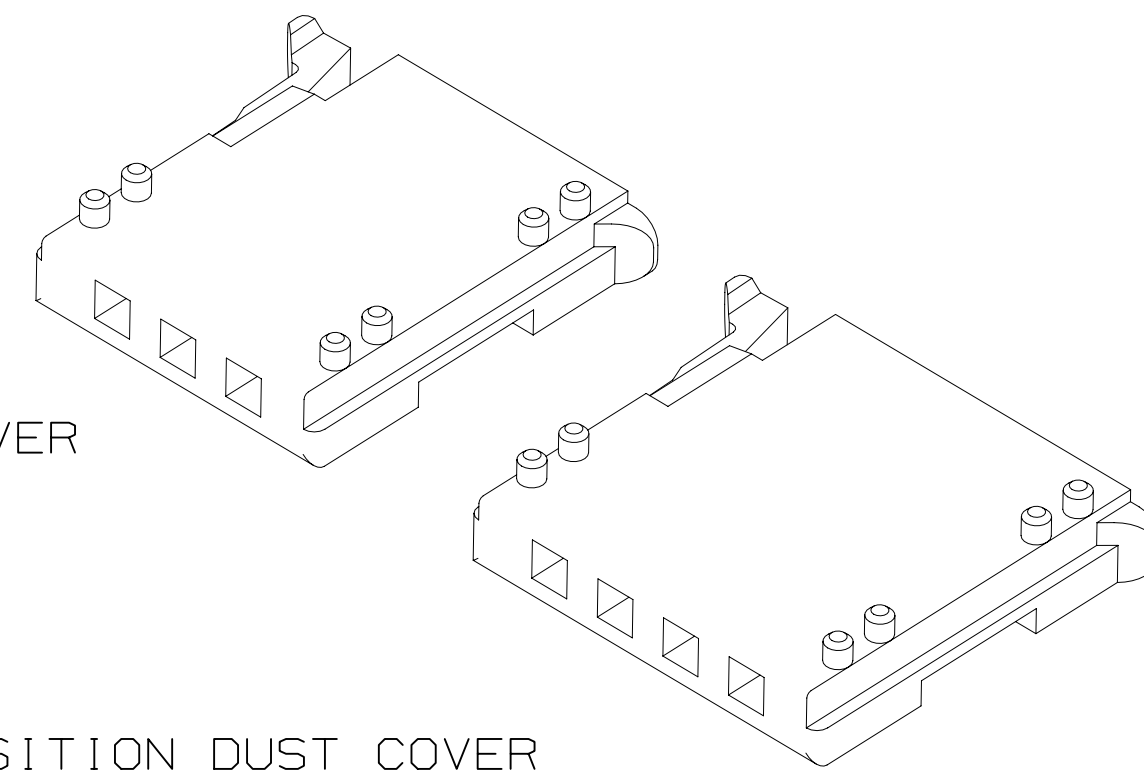
STACKED CONDITION
TERMINALS INSERTED



4 POSITION SOCKET
3S504-SX30-X00 PN



STACKED CONDITION
TERMINALS INSERTED



3 POSITION DUST COVER
3SD03-S01

4 POSITION DUST COVER
3SD04-S01

- * COMPACT FORM - CONNECTORS MAY BE STACKED.
- * INTEGRATED TERMINAL AND HOUSING.
- * DOUBLE IDC WIRE TERMINATION.
- * ACCOMODATES WIRE SIZES 22 - 30 AWG.
- * 3 OR 4 POSITION CONNECTOR.
- * DUST COVER FOR USE WHEN LESS THAN 4 SOCKETS ARE STACKED

2 PHYSICAL :

INSULATOR:
MATERIAL: PBT RESIN
FLAMMABILITY: UL94V-0
COLOR: BLACK OR GRAY
CONTACT:
MATERIAL: COPPER ALLOY
PLATING:
UNDER PLATING: NICKEL OVERALL
WIPIING AREA: GOLD
IDC: NICKEL
MARKINGS:

2 ELECTRICAL :

VOLTAGE: AC/DC: 32V MAX.
CURRENT: 22-26AWG: 2.0A MAX.
27-28AWG: 1.5A MAX.
29-30AWG: 1.0A MAX.

2 ENVIRONMENTAL :

TEMPERATURE: -20° C TO 85° C

WIRE ACCOMMODATION		
AWG NO.	NOMINAL CONDUCTOR CROSS-SECTIONAL AREA mm ² (mil ²)	WIRE OD mm (mil)
24-22	0.2-0.3 (310-465)	0.6 to 1.5
30-25	0.05-0.19 (78-295)	(23.6 to 59.1)

CONNECTOR ORDERING INFORMATION

3S50X-SX30-X00 PN

TERMINAL QUANTITY:
3 = 3 POSITIONS
4 = 4 POSITIONS

BODY COLOR:
B = BLACK (WIRE CODE 3)
G = GRAY (WIRE CODE 5)

WIRE SIZE CODE:
3 = 24-22 AWG (BLACK BODY REQ'D)
5 = 30-25 AWG (GRAY BODY REQ'D)

DUST COVER (ORDER SEPARATELY)			
3M PART NUMBER	TERMINALS	MATERIAL	COLOR
3SD03-S01	3	PBT	GRAY
3SD04-S01	4		

- ### NOTES
- 1 REGULATORY INFORMATION: VISIT 3M.com/regs
 - 2 IN THE EVENT OF CONFLICT BETWEEN THIS DATA AND THAT CONTAINED IN THE PRODUCT SPECIFICATION, THE PRODUCT SPECIFICATION TAKES PRECEDENT.
 - 3 REFERNECE PRODUCT SPECIFICATION PS-0362 FOR WIREMOUNT SOCKET.
 - 4 REFERENCE PRODUCT SPECIFICATION PS-0364 FOR DUST COVER.
 - 5 SEE TECH SHEET TS-2726 FOR MATING HEADERS.
 - 6 SEE TECH SHEET TS-2728 FOR HAND TOOL.

3M ELECTRONICS MATERIALS SOLUTIONS DIVISION
INTERCONNECT SOLUTIONS
<http://www.3M.com/interconnect>

3M IS A TRADEMARK OF 3M COMPANY.
FOR TECHNICAL, SALES OR ORDERING
INFORMATION CALL 800-225-5373

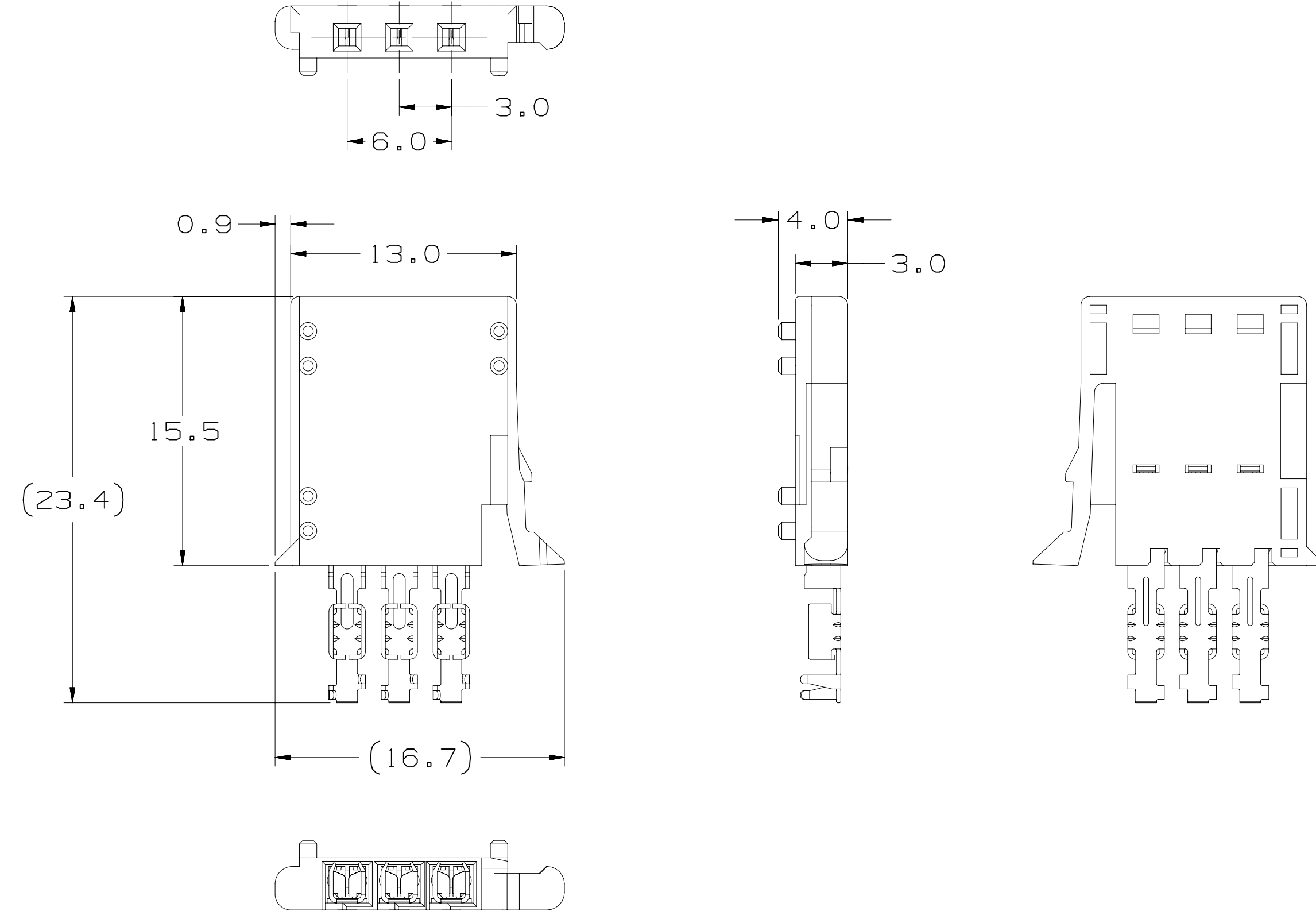
DESIGN REFERENCE	NEXT ASSEMBLY	REV	ECO	ISSUE DATE AND DESCRIPTION	DRFT	CHKD
		L SCHMIDT		FEB 01, 2021		
				FEB 05, 2021		
DIVISION		DIVISION CODE		DATE		
DO NOT SCALE DRAWING		SCALE	TOLERANCES EXCEPT AS NOTED			
THIRD ANGLE PROJECTION		INCHES	MILLIMETERS			
INTERPRET PER ASME Y14.5 - 2018		0 ± .2	.0 ± .5			
MAX SURFACE ROUGHNESS		.00 ± .013	.000 ± .005			
125		ALL SURFACES	ANGLES ± 1°			
X MARKED ONLY						

A	95460	FEB 05, 2021	LDS	FJR
INITIAL RELEASE				
© 3M COPYRIGHT 2021				
This document and the information it contains are 3M property and may not be reproduced or further distributed without 3M permission, or used or disclosed other than for 3M authorized purposes. All rights reserved.				
MINI STACK CONNECTOR WIREMOUNT SOCKET 3S50X-SX30-X00 PN				
CAGE NUMBER	SIZE	DRAWING NO.	REV.	
D		78-5100-2725-9	A	
MODEL		SHT 1 OF 3		

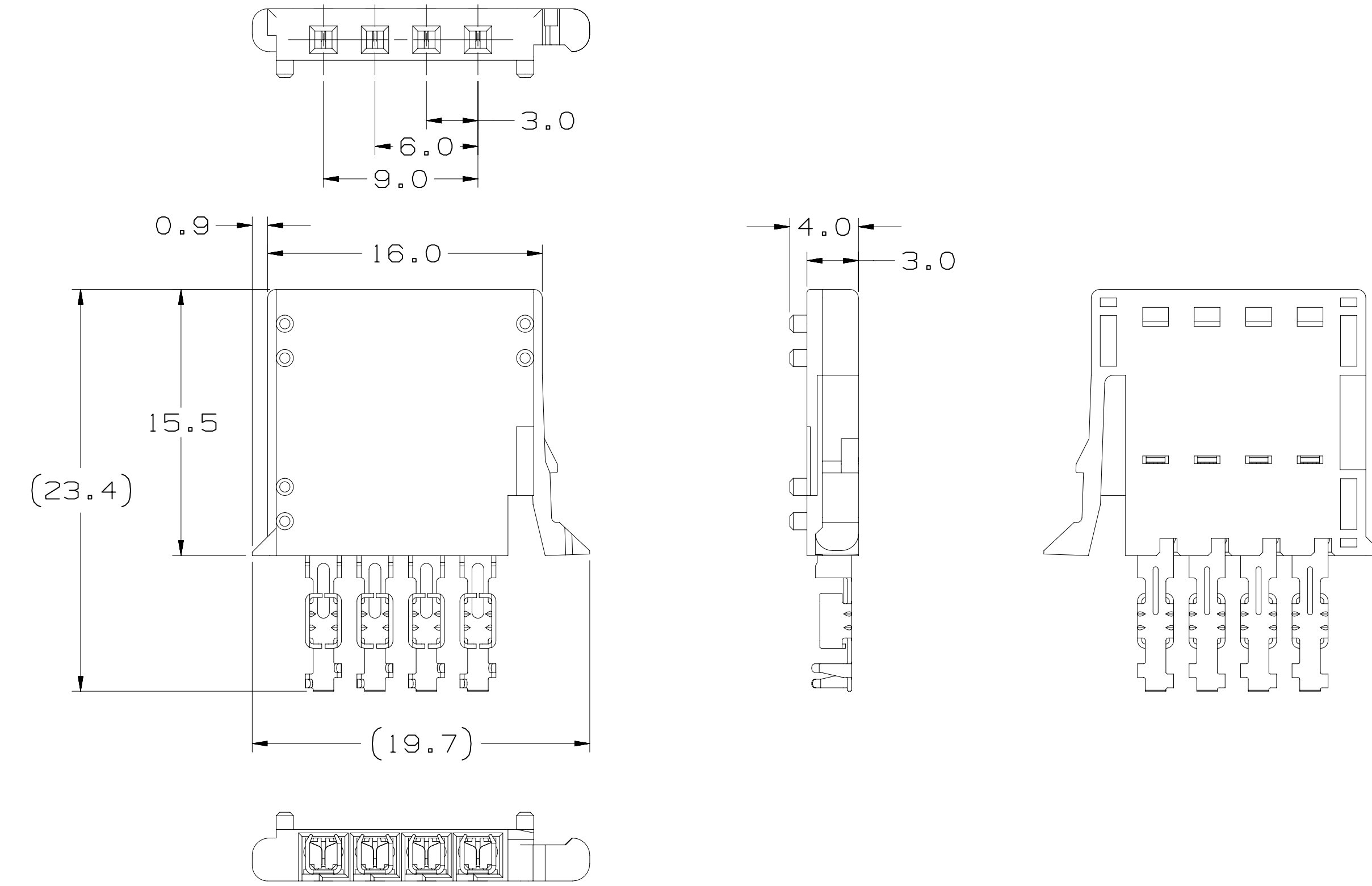
78-5100-2725-9
 DRAWING NUMBER
 A REVISION
 3M Center St. Paul, MN 55144
 Time 2/5/2021 11:54 AM
 UTC offset (hrs) 6
 Imaged: Central Standard

3M™ MINI STACK CONNECTOR, WIREMOUNT SOCKET

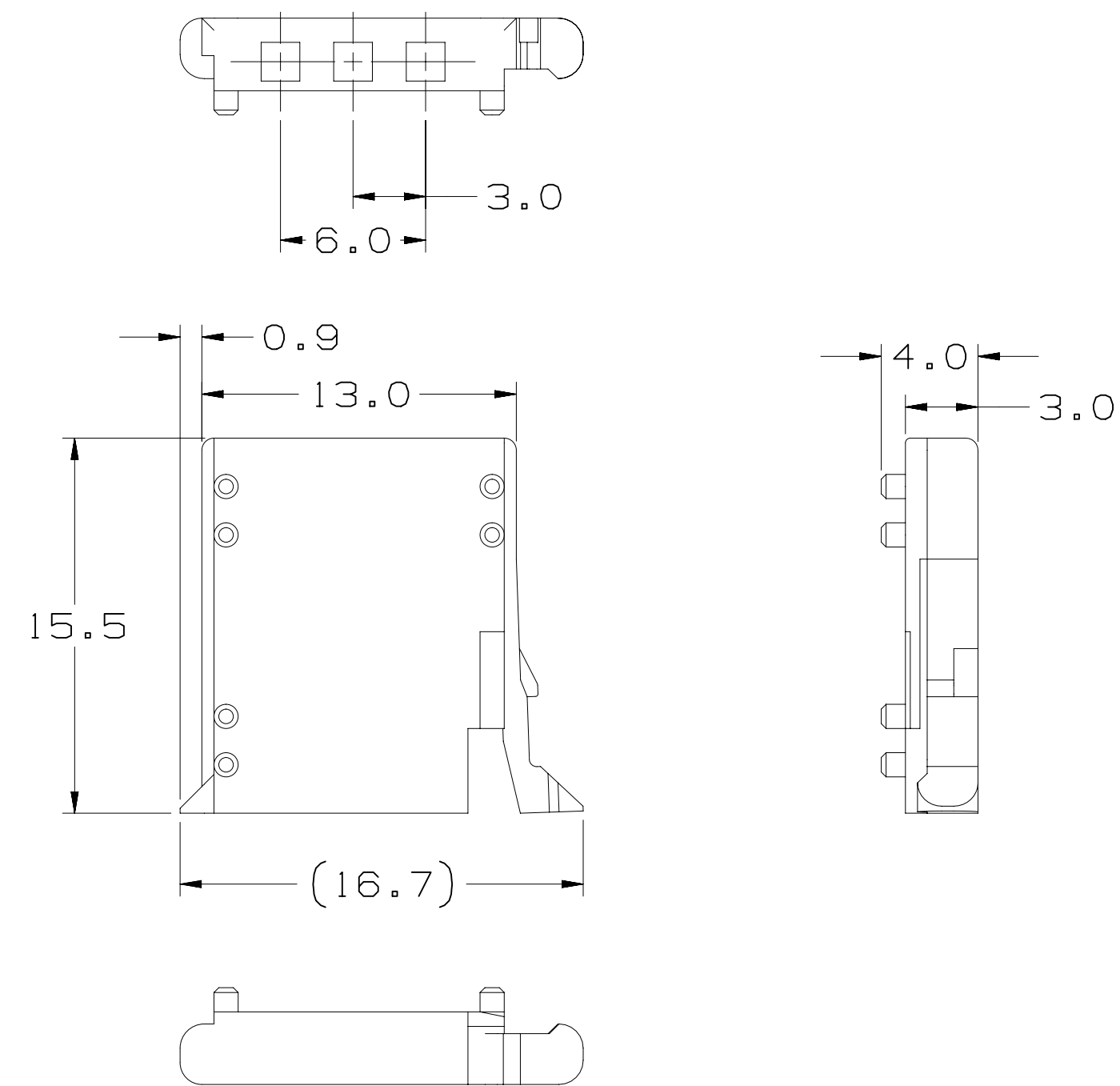
3 POSITION
3S503-SX30-X00 PN



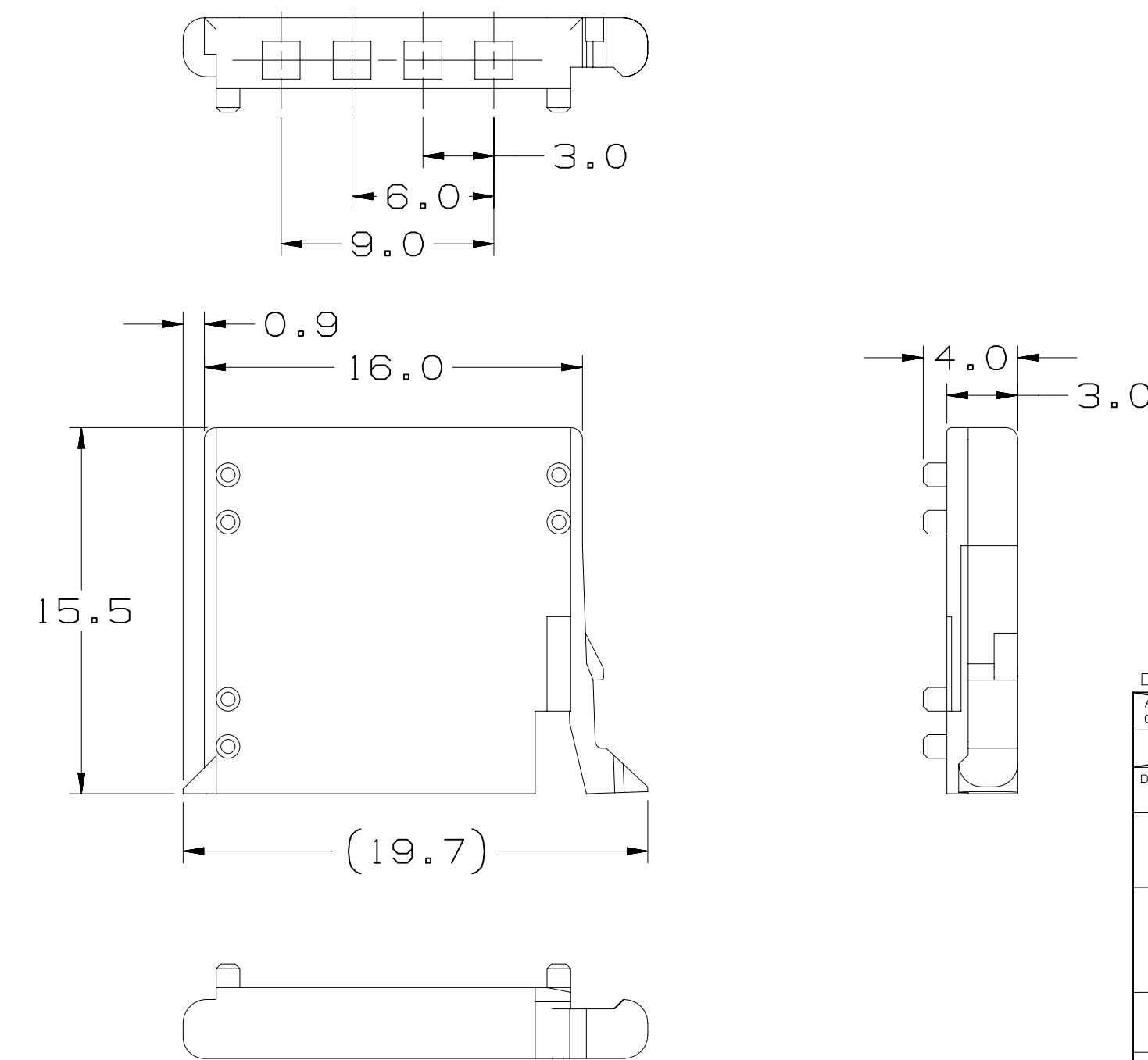
4 POSITION
3S504-SX30-X00 PN



3 POSITION DUST COVER
3SD03-S01



4 POSITION DUST COVER
3SD04-S01



DESIGN REFERENCE	NEXT ASSEMBLY	REV	ECO	ISSUE DATE AND DESCRIPTION	DRFT	CHKD
				FEB 05, 2021 INITIAL RELEASE	LDS	FJR
APPROVED	DATE	DATE	DATE	DATE	DATE	DATE
DRFT	L SCHMIDT	FEB 01, 2021	MFG			
CHKD			APPR	F RODRIGUEZ	FEB 05, 2021	
DIVISION	DIVISION CODE	© 3M COPYRIGHT 2021 This document and the information it contains are 3M property and may not be reproduced or further distributed without 3M permission, or used or disclosed other than for 3M authorized purposes. All rights reserved.				
DO NOT SCALE DRAWING	SCALE 1/1	TOLERANCES EXCEPT AS NOTED	3M Center St. Paul, MN 55144			
THIRD ANGLE PROJECTION		INCHES	TITLE MINI STACK CONNECTOR WIREMOUNT SOCKET 3S50X-SX30-X00 PN			
INTERPRET PER ASME Y14.5 - 2018		MILLIMETERS	CAGE NUMBER D 78-5100-2725-9			
MAX SURFACE ROUGHNESS		ANGLES ±1°	DRAWING NO. 78-5100-2725-9			
125	ALL SURFACES		REV. A			
	MARKED ONLY		SHT 2 OF 3			

78-5100-2725-9
 DRAWING NUMBER
 Time 2/5/2021 -- UTC Offset (hrs) 6

3M™ MINI STACK CONNECTOR, WIREMOUNT SOCKET

Regulatory: For regulatory information about this product, visit 3M.com/regs or contact your 3M representative.


Technical Information: The technical information, recommendations and other statements contained in this document are based upon tests or experience that 3M believes are reliable, but the accuracy or completeness of such information is not guaranteed.

Product Use: Many factors beyond 3M's control and uniquely within user's control can affect the use and performance of a 3M product in a particular application. Given the variety of factors that can affect the use and performance of a 3M product, user is solely responsible for evaluating the 3M product and determining whether it is fit for a particular purpose and suitable for user's method of application.

Warranty, Limited Remedy, and Disclaimer: Unless an additional warranty is specifically stated on the applicable 3M product packaging or product literature, 3M warrants that each 3M product meets the applicable 3M product specification at the time 3M ships the product. 3M MAKES NO OTHER WARRANTIES OR CONDITIONS, EXPRESS OR IMPLIED, INCLUDING, BUT NOT LIMITED TO, ANY IMPLIED WARRANTY OR CONDITION OF MERCHANTABILITY OR FITNESS FOR A PARTICULAR PURPOSE OR ANY IMPLIED WARRANTY OR CONDITION ARISING OUT OF A COURSE OF DEALING, CUSTOM OR USAGE OR TRADE. If the 3M product does not conform to this warranty, then the sole and exclusive remedy is, at 3M's option, replacement of the 3M product or refund of the purchase price.

Limitation of Liability: Except where prohibited by law, 3M will not be liable for any loss or damage arising from the 3M product, whether direct, indirect, special, incidental or consequential, regardless of the legal theory asserted, including warranty, contract, negligence or strict liability.

3M Company
 Electronics Materials Solutions Division
 13011 McCullen Pass, Bldg. C
 Austin, TX 78753-5380
 1-800-225-5373
www.3M.com/interconnect

DESIGN REFERENCE		NEXT ASSEMBLY		REV	ECO	ISSUE DATE AND DESCRIPTION		DRFT	CHKD
				A		95460	FEB 05, 2021	LDS	FJR
ACROSS CODES		DIVISION		DRP	DATE	MFG	DATE		
				L SCHMIDT	FEB 01, 2021				
DIVISION		DIVISION CODE		CHKD	DATE	APPR	DATE		
						F RODRIGUEZ	FEB 05, 2021		
DO NOT SCALE DRAWING	SCALE 1/1	TOLERANCES EXCEPT AS NOTED		 3M Center St. Paul, MN 55144 © 3M COPYRIGHT 2021 This document and the information it contains are 3M property and may not be reproduced or further distributed without 3M permission, or used or disclosed other than for 3M authorized purposes. All rights reserved.		TITLE MINI STACK CONNECTOR WIREMOUNT SOCKET 3S50X-SX30-X00 PN			
THIRD ANGLE PROJECTION	INTERPRET PER ASME Y14.5 - 2018	MILLIMETERS		CAGE NUMBER		DRAWING NO.		REV.	
		0 ± .2		D 78-5100-2725-9		A			
MAX SURFACE ROUGHNESS	ALL SURFACES	MILLIMETERS		MODEL		DET		SHT 3 OF 3	
125	<input checked="" type="checkbox"/> MARKED ONLY	.00 ± .013 .000 ± .005				YES <input type="checkbox"/> NO <input checked="" type="checkbox"/>			
		ANGLES ± 1°							

78-5100-2725-9 DRAWING NUMBER
 18:51:00
 Time 2/5/2021 11:51:00 UTC Offset (hrs) 6